

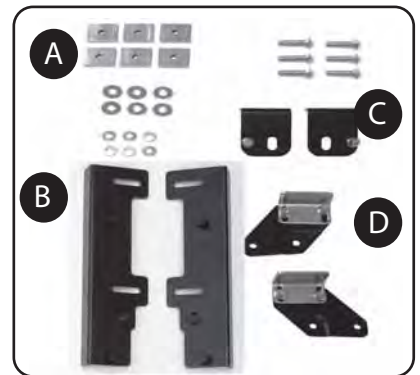


# MODEL SPECIFIC GUIDE

Hidden Hinge Version

**Model 4056 Toyota Tacoma Double Cab**

**5' Short Bed 2005-Current** *(with multi-track system)*



### Tacoma Bracket Kit

- A:** Mounting Hardware
- B:** Front Brackets
- C:** Prop Brackets
- D:** Rear Brackets

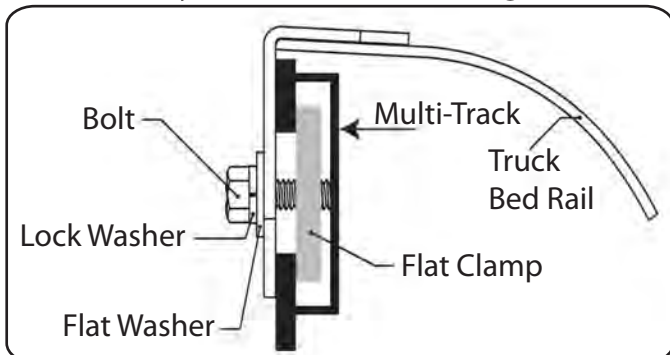


**Note:** Before beginning install, you must remove the factory Multi-Track tie down cleats. These cleats may be reinstalled after the cover install is complete.



### RE: Step 2 on the Quick Start Guide

Remove the end caps from the Multi-Track system. Install the prop mounting brackets. Slightly screw the Multi-Track flat clamps on to the bolt and through the prop mounting bracket. Slide the flat clamp into the Multi-Track system. Position according to the measurement on the reverse side.



Form # AS4056II  
Created March 2012

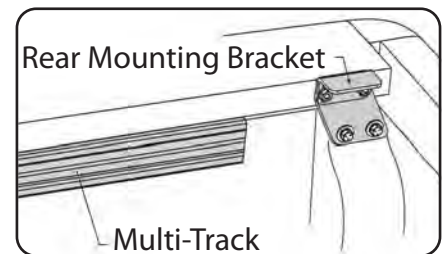
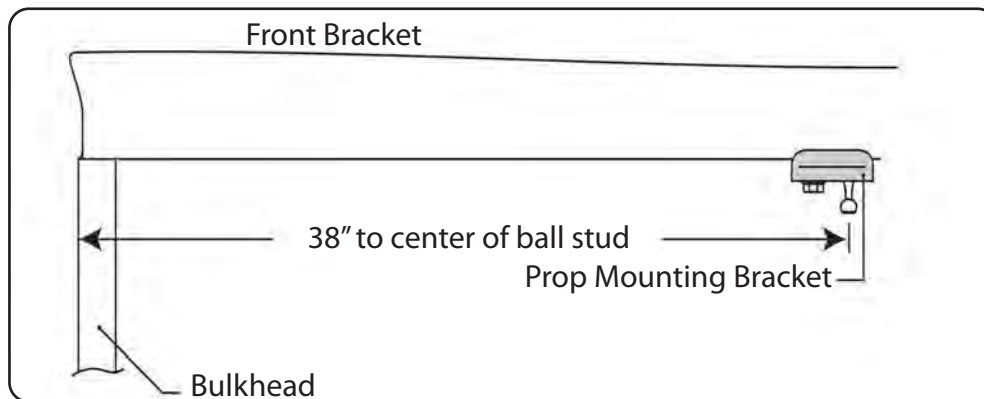
For Warranty Issues, Contact UnderCover Directly  
(866) 900-8800 [www.undercoverinfo.com](http://www.undercoverinfo.com)



## MODEL SPECIFIC GUIDE Hidden Hinge Version Model 4056 Toyota Tacoma 5' Short Bed

### Continued - RE: Step 2 on the Quick Start Guide

Position the prop mount bracket 38" from the front of the bulkhead to the center of the ball stud. Install the rear brackets using the two bolts nearest the tailgate, close to the top rail of the truck.

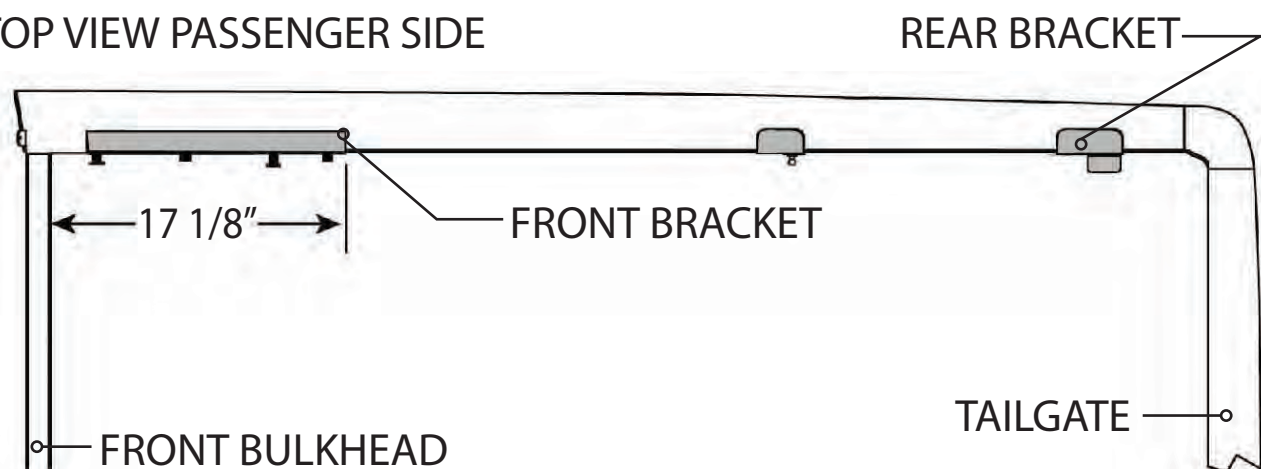


### RE: Step 3 on the Quick Start Guide

Measurement for the front mounting bracket is 17 1/8" from the back side of the bulkhead to the end of the bracket. Install using the Multi-Track flat clamps.

The fit of the cover to the truck bed is determined by the front mounting brackets. This measurement is a good starting point. Unfortunately not all truck beds are assembled 100% square, so some adjustments may be necessary after the cover is set on the truck.

### TOP VIEW PASSENGER SIDE



UnderCover, Inc.  
P.O. Box 620  
Rogersville, MO 65742  
(417) 753-8000  
(866) 900-8800

[www.undercoverinfo.com](http://www.undercoverinfo.com)  
[sales@undercoverinfo.com](mailto:sales@undercoverinfo.com)

© 2010 UnderCover, Inc.  
All rights reserved.