

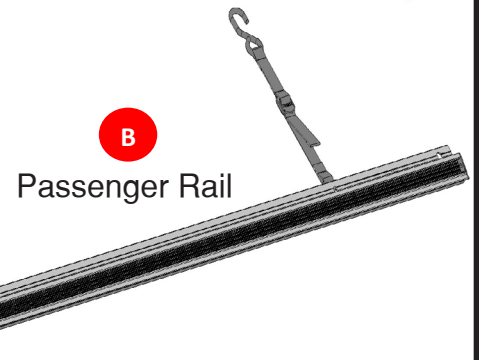
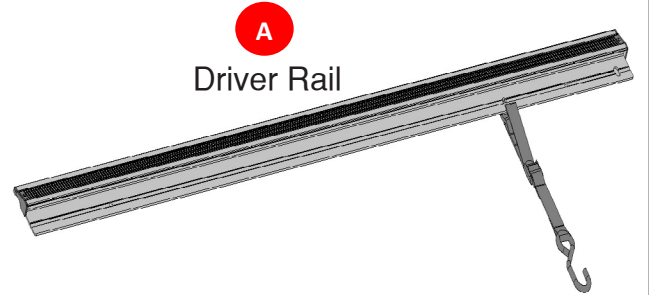
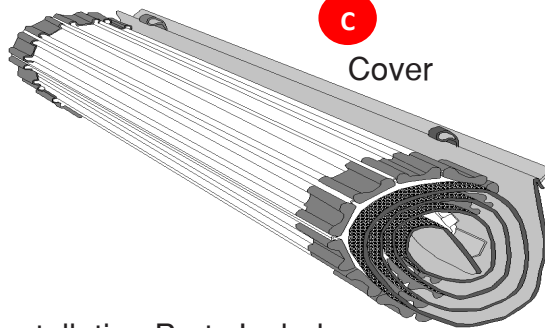


OWNER'S MANUAL

- Please read manual thoroughly before installing this kit. Failure to install cover properly will void warranty.
- Use picture keys below to verify components found in shipping box and hardware bags.
- Damaged or missing parts? Call 1-877-878-9336 Mon - Fri 8 am-5 pm CT. Parts will be shipped to you factory direct. Do not return kit to place of purchase.



COMPONENTS



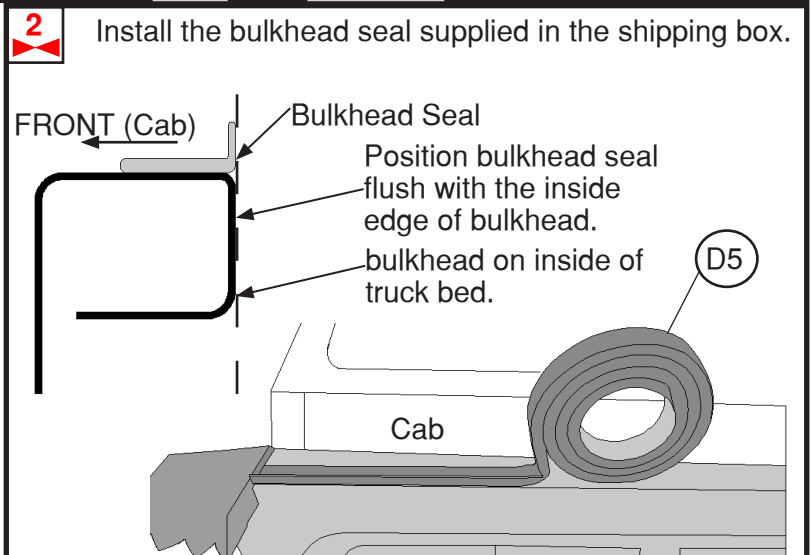
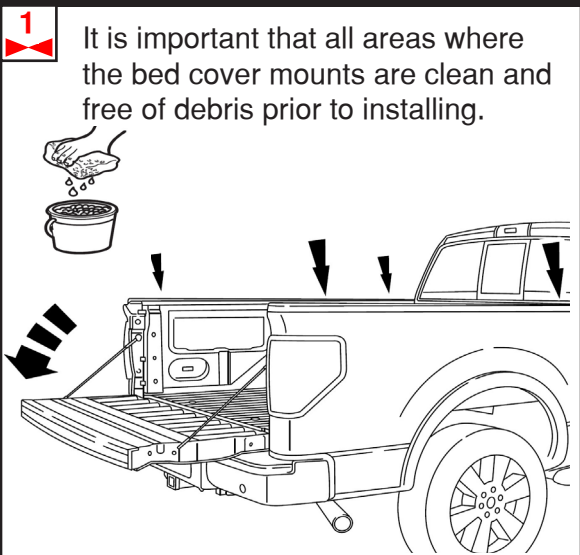
D Installation Parts Include:

D1 Drill Guide 2X	D2 J-Nut 10X	D3 Button head M6 x 30MM 12X	D4 Clamps 12X	D5 Weather Seal
--------------------------------	------------------------	---	-------------------------	------------------------------

Tools Required:

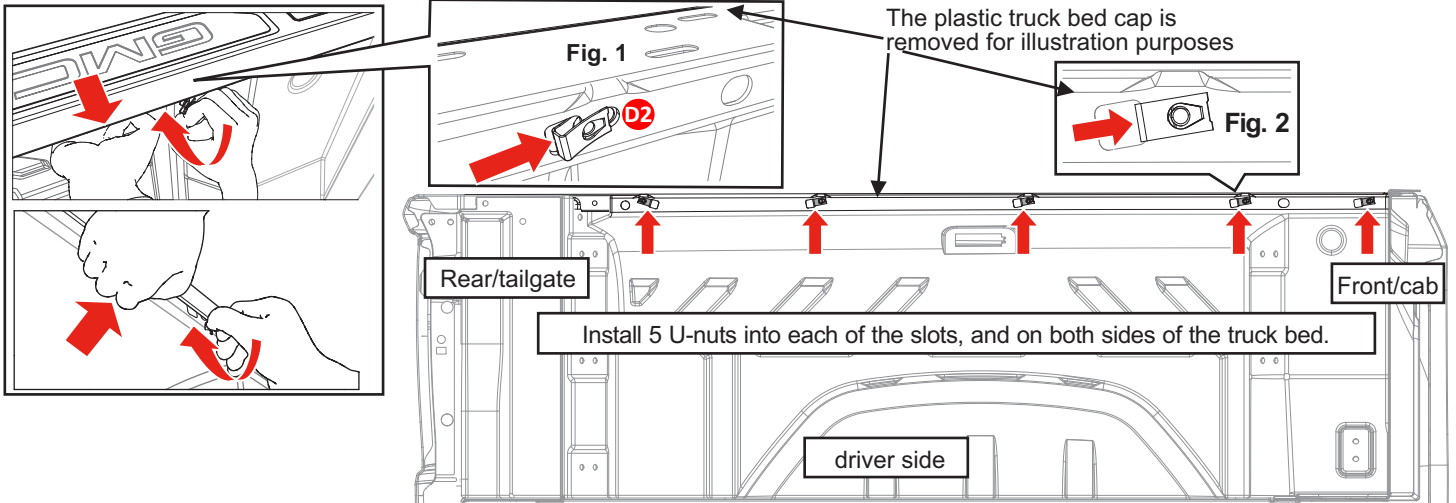
T30 Torx drive 	Drill 	7.00 mm(9/32") drill bit
--------------------	-----------	---------------------------------

WEATHER SEAL INSTALLATION FOR TRUCKS WITH AND WITHOUT TRAIL RAILS:



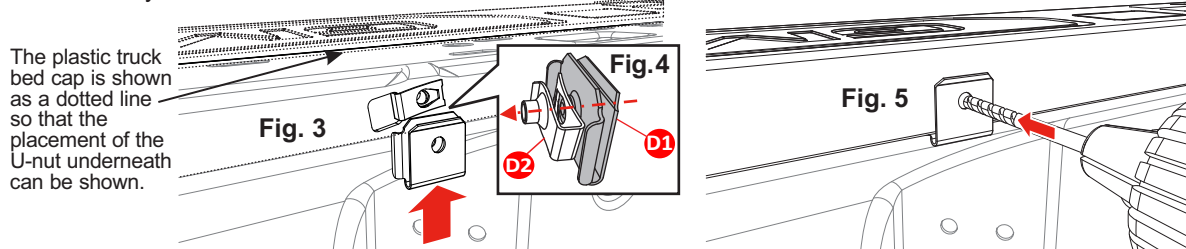
3 U-nut installation, item D2.

Insert the U-nuts by prying the plastic truck bed cap away from the truck bed while sliding the U-nut into the bed wall opening (fig. 1), making sure that the U-nut is aligned with the bed rail hole as shown in fig. 2. Repeat for the passenger side.



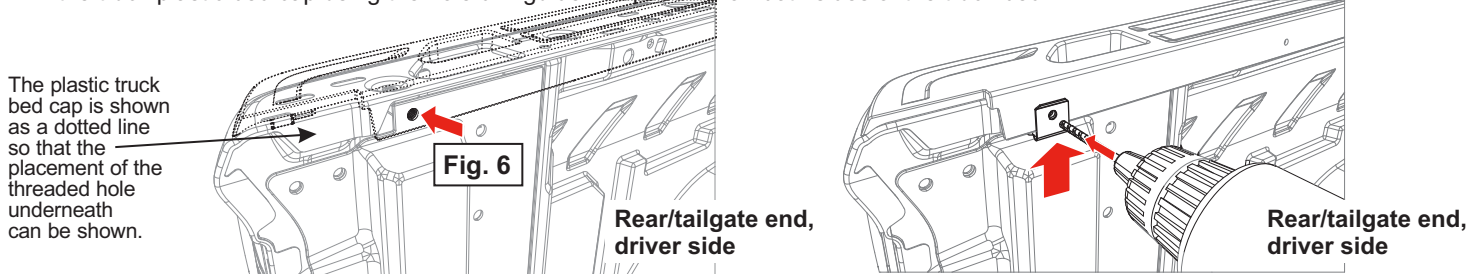
4 Drill mounting holes. Use drill guide, item D1.

Slide the hole drill guide onto the edge of the truck's plastic bed cap and in between the cap and the bed (fig. 3). Align the hole drill guide so that the back of the guide fits into the hole of the U-nut (fig. 4). Drill a 7mm, (9/32") hole through the truck plastic bed cap using the hole drill guide (fig. 5). The back of the hole drill guide will prevent the drill from hitting the truck bed. Repeat this for every U-nut location on both sides of the truck bed.



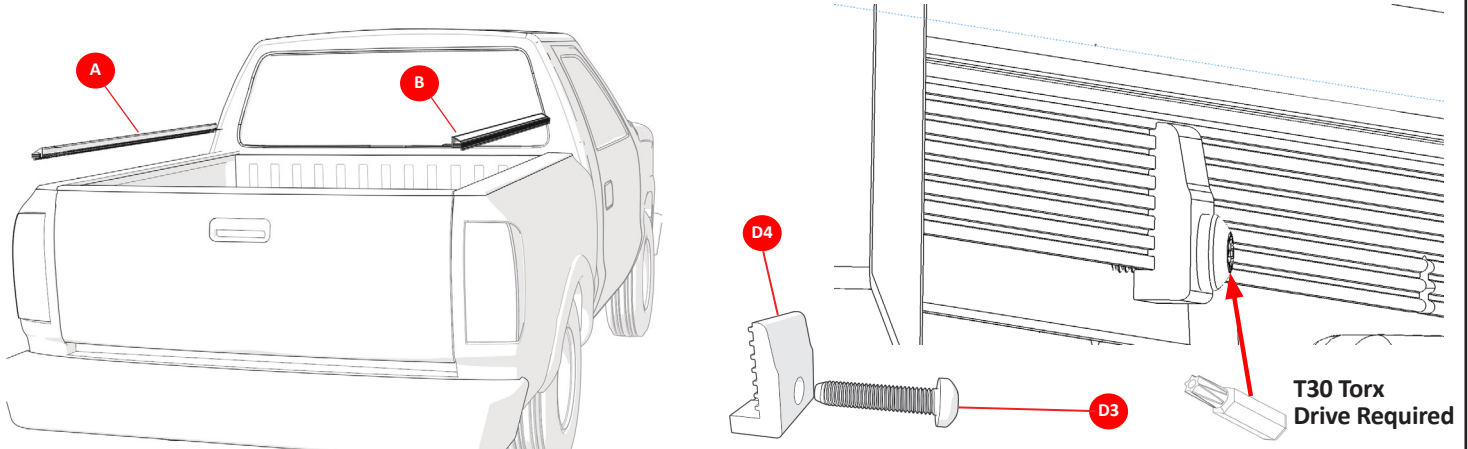
Drill mounting holes, continued

The truck bed cap sheet metal already has a threaded hole included (fig. 6). A hole must be drilled through the truck's plastic bed cap to access the threaded hole for mounting. Slide the hole drill guide onto the edge of the truck's plastic bed cap and in between the cap and the bed. Align the hole drill guide so that the back of the hole guide aligns with the threaded hole. Drill a 7mm, (9/32") hole through the truck plastic bed cap using the hole drill guide. Repeat this on both sides of the truck bed.

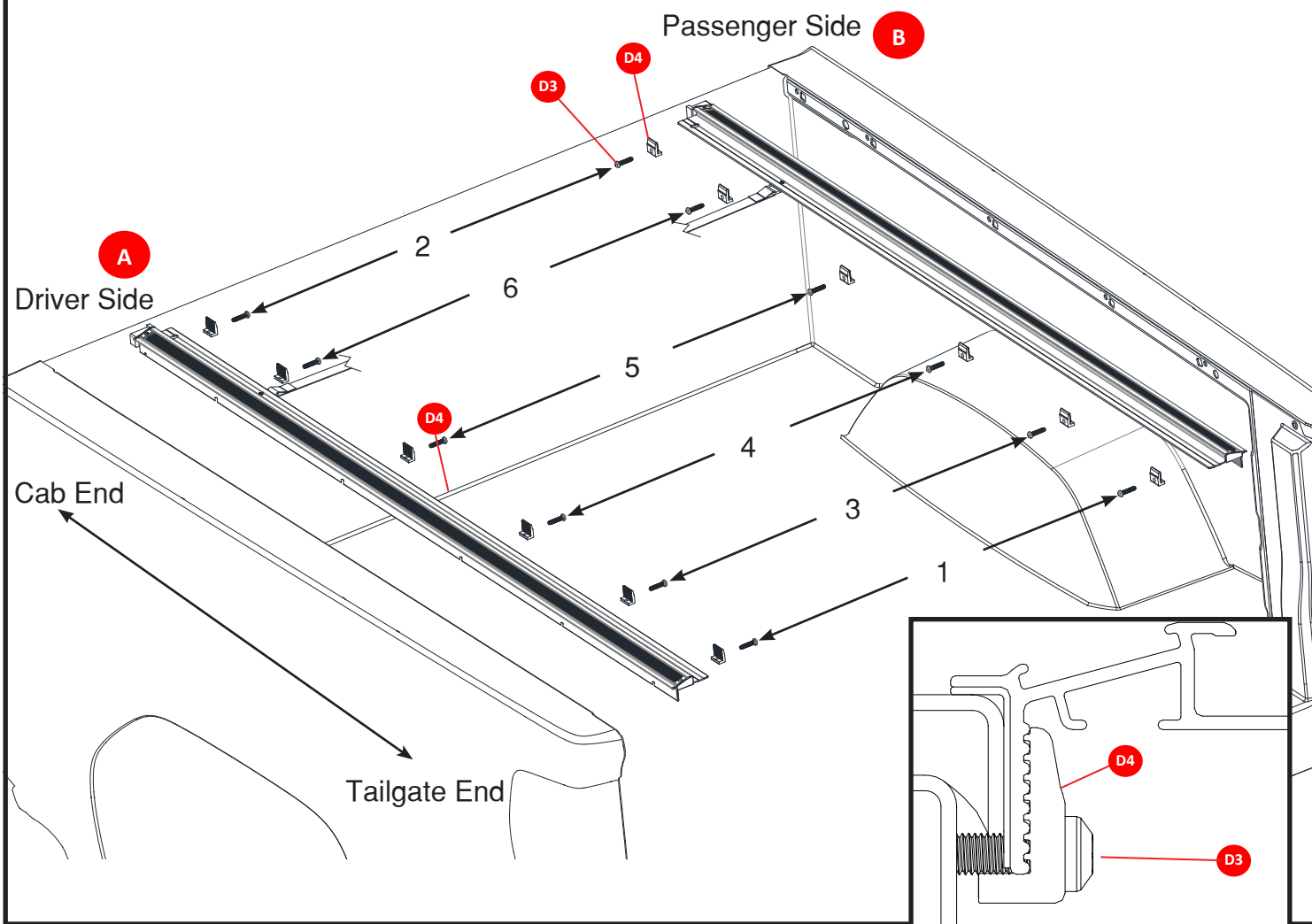


5 Install driver and passenger rail. The assistance of a second person is recommended but not required for step 7 thru 8.

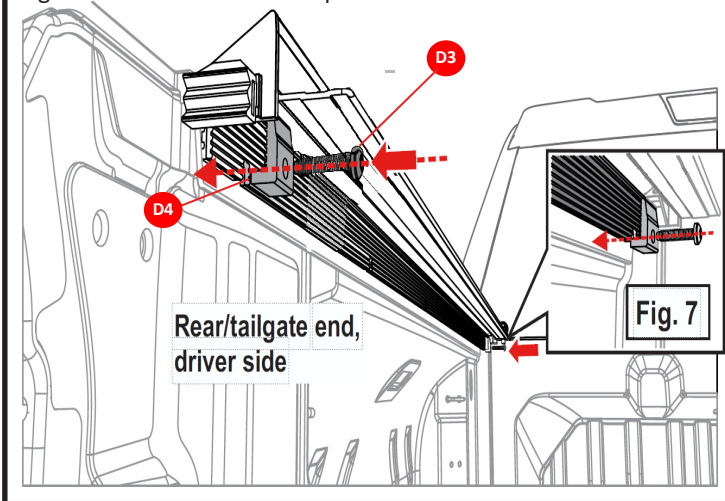
To install the rails, hardware D3 and D4 will be used. Proceed to step 6-8 for hardware placement and order of installation.



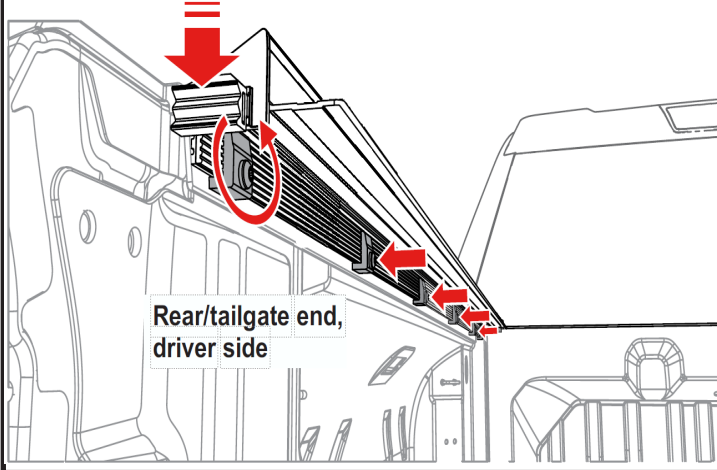
6 Install Driver side rail and Passenger rail using clamp hardware D3 and D4.



7 **Clamp Installation.** Insert the screw through the clamp, through the cutout in the rail and into the installed U-nut, do not tighten fully. Start with the front/cab hole, (fig.7) and the rear/tailgate hole to hold the rail in place.



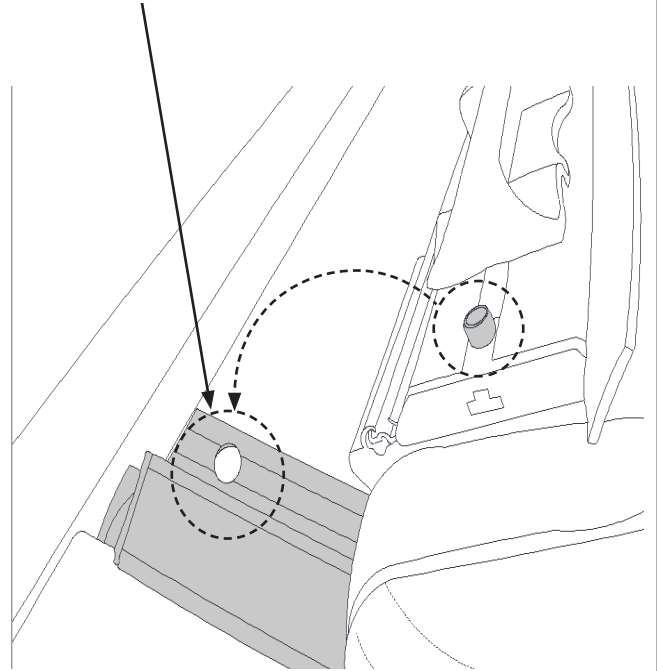
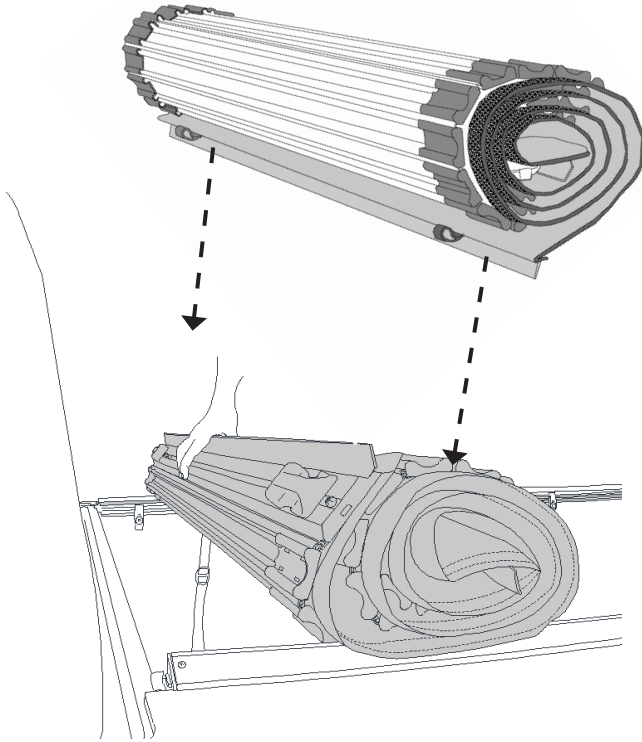
8 Install the remaining four middle clamps. Starting with rear/tailgate tighten the screws. Push the rail into the plastic bed cap when tightening each screw to help the rail seal against the bed cap. Tighten the remaining screws in order to the front/cab. Repeat the installation on the other side.



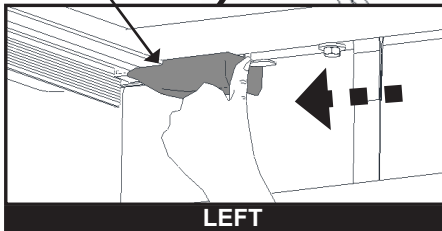
INSTALLING COVER ASSEMBLY:

- 8** Position the cover assembly roll behind the truck's cab. Roll the front header over and align the screw heads into the oblong holes that are located in the side rails as shown.

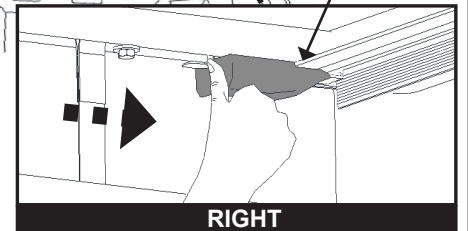
Attention: The rail may need to be forced upward slightly to allow the screw head to drop in the slot.



- 9** Attention: The rail may need to be forced upward slightly to allow the header guides to slide.
- Attention: The rail may need to be forced upward slightly to allow the header guides to slide.



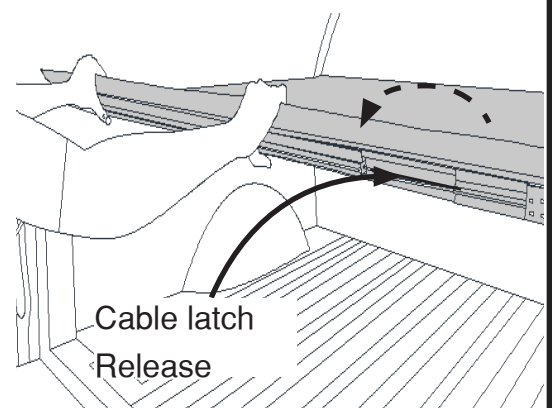
Secure rolled cover to side rails. Slide header guides under the rail until **CLICK** is sounded.



CLOSING THE COVER:

- 10** Unroll cover to the tailgate.

CAUTION
PINCH POINTS
CAN CAUSE SERIOUS
PERSONAL INJURY

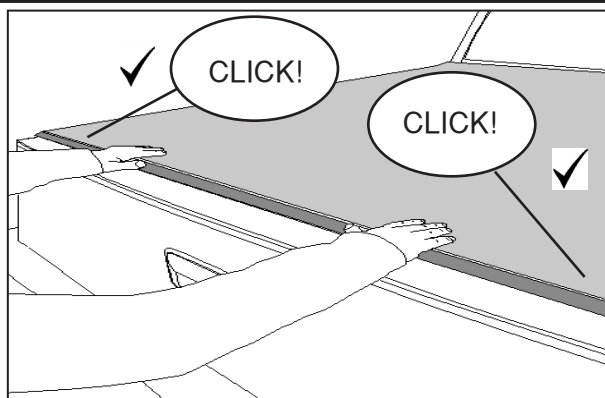
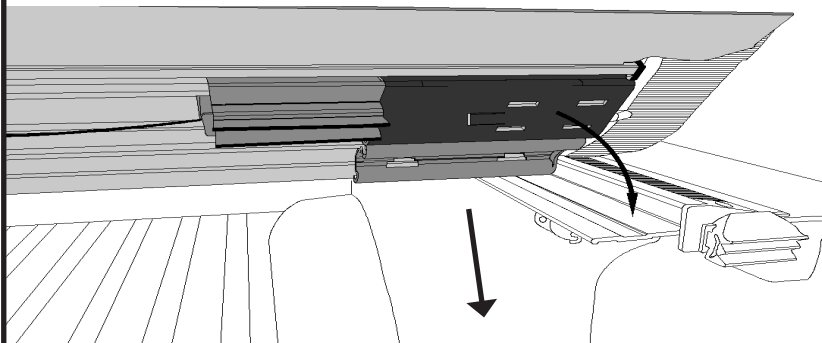


CAUTION HIGH TEMPERATURE



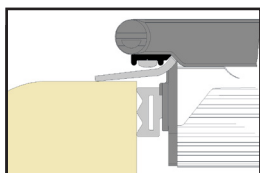
CLOSING THE COVER CONT:

11 Latch Both Sides.

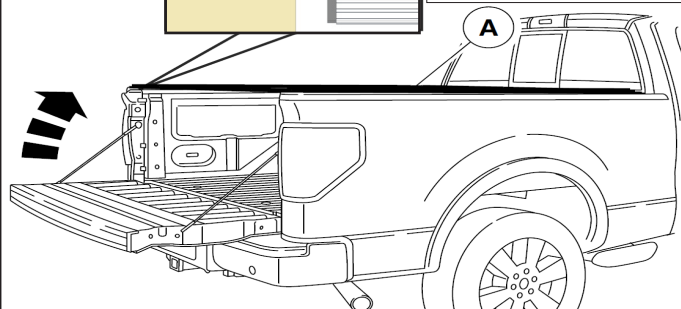


12 PREFERRED METHOD OF CLOSURE: Close tailgate, then close cover on top of tailgate. This method will not work with some truck applications. Use alternate method instead.

ALTERNATIVE METHOD OF CLOSING COVER: Close and latch cover, then close tailgate with the seal to the inside of the tailgate. Some care will need to be taken to train seal to be closed on the inside.



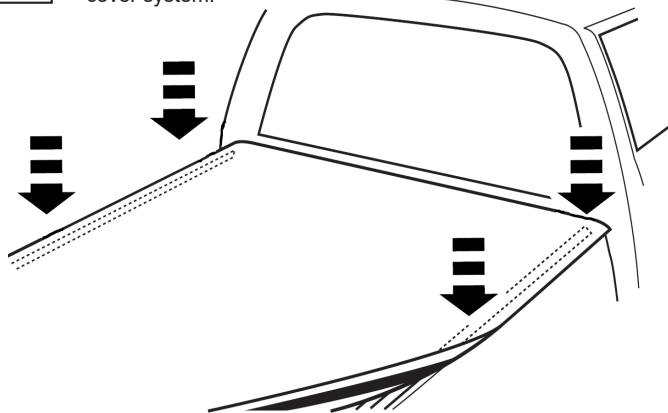
NOTE: If you have a key lock tailgate, truck bed cover is secured until tailgate is unlocked and opened.



Make sure cover is securely latched on both sides before operating vehicle.

SETTING HOOK AND LOOP FASTENER:

13 Secure Hook and Loop down both sides along entire length of cover system.



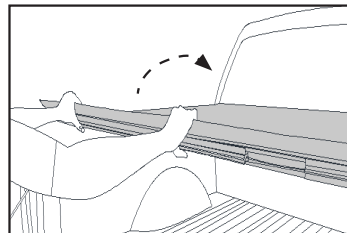
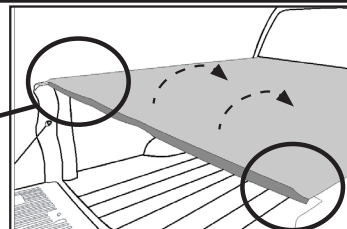
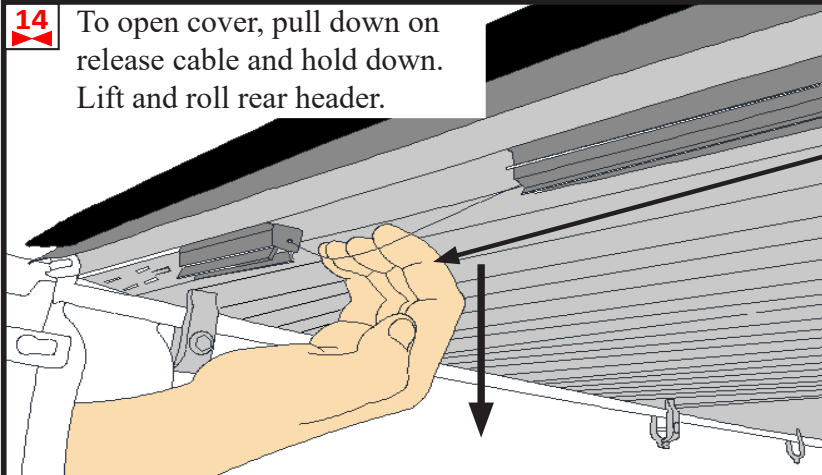
NOTE: Secure hook fastener and loop fastener along entire length of both side rails before driving vehicle. This will prevent wind lifting the cover and causing damage.

ATTENTION!

After the initial installation leave cover closed and latched for a 24 hour period. This will ensure that the fabric has taken a complete set to the metal substrate.

OPENING THE COVER:

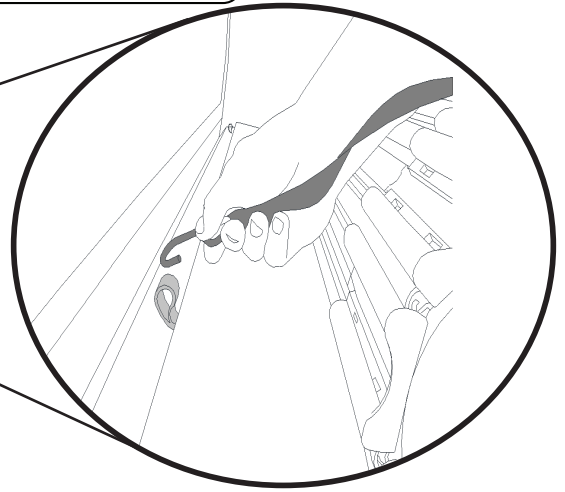
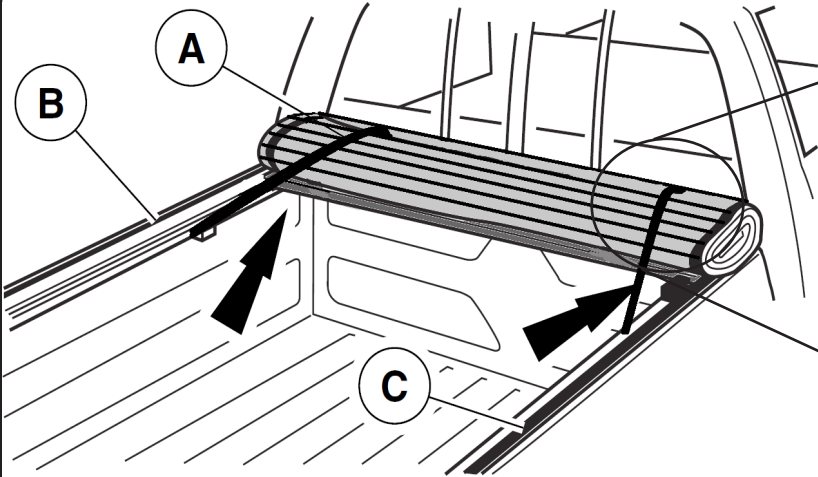
14 To open cover, pull down on release cable and hold down. Lift and roll rear header.



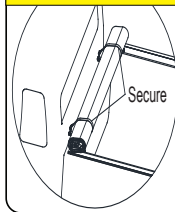
15

CAUTION

ROLL COVER TIGHT. SECURE THE COVER APPROPRIATELY USING BOTH RETAINER STRAPS. **DO NOT** OVERTIGHTEN. **DO NOT** STOW COVER AGAINST CAB WINDOW.



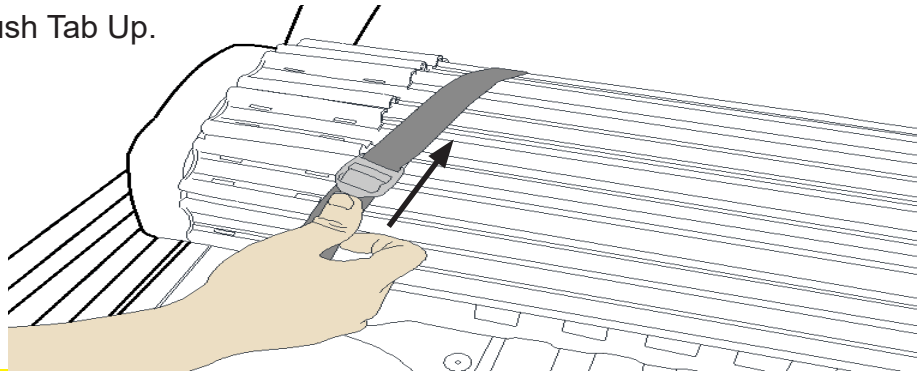
CAUTION



Before driving with cover open, **BOTH STRAPS MUST BE SECURED TO RETAINING LOOPS**. Failure to do so could cause accidental release of the cover, resulting in personal injury or property damage.

16

To Release Strap Push Tab Up.



NOTICE: Ice buildup within hinge section can occur if cover is stowed in open position. To prevent potential damage, close cover during winter precipitation.

COVER MAINTENANCE

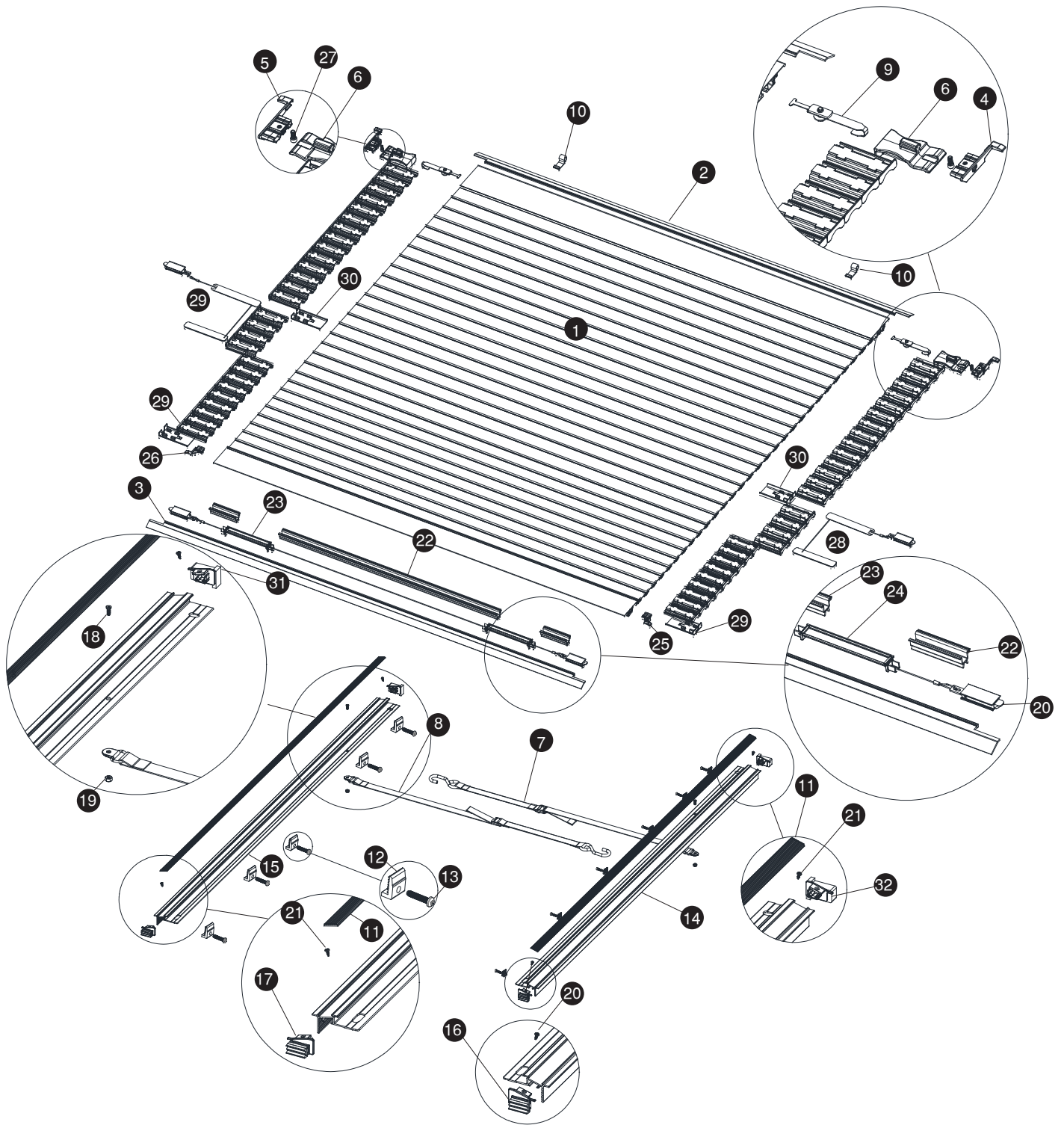
1. Cover surface can be hand washed with mild soap and water or cleaned in a car wash. Thoroughly rinse cover to remove any soap residue. **Never use vinyl conditioners that contain silicon, petroleum, or citrus based products on your truck bed cover as they may crack and shrink the vinyl top surface.**
2. The use of a power washer directed at the covers top surface from a few inches away will damage the surface. The nozzle end of a power washer should be held at a minimum of 3 feet away from the top surface.
3. It is recommended that you periodically check that the cover is securely attached to your truck bed. Inspect the clamps and front header guide slides to ensure they were properly installed and have not come loose during operation.
4. It is recommended that you periodically inspect and service the rear latch closures. Clean away any excess dirt or grime and lubricate with silicone spray. Ensure the latches move freely in and out to properly engage the side rail and provide performance with optimal security. Be careful not to overspray the cover.

Questions?

Call our friendly customer service staff
Toll Free at:

1-877-878-9336
Mon - Fri 8 am - 5 pm CST





SENTRY / SENTRY CT REPLACEMENT PARTS

1	*	Sentry/Sentry CT Replacement Cover	12	1706491	Aluminum Clamp	23	*	Cable Cover
2	*	Header Seal, Front	13	1706371	Cap Screw Button Head	24	1115822	Cable Guard
3	*	Header Seal, Rear	14	1706605	Side Rail, Passenger's Side	25	1705826	Rear Header End Plug (Passenger)
4	1705828	Front Header End Plug (Passenger)	15	1706604	Side Rail, Driver's Side	26	1705825	Rear Header End Plug (Driver)
5	1705829	Front Header End Plug (Driver)	16	1705851	SIDE RAIL END PLUG ASSY_RH	27	1704689	Machine Screw 1/4-20 X 9/16
6	1704707	Header Guide	17	1705852	SIDE RAIL END PLUG ASSY_LH	28	*	Passenger Security Latch Assy
7	1117892	Retainer Hook Strap (Passenger)	18	1705415	Cap Screw 10-24 X 1/2	29	*	Driver Security Latch Assy
8	1117893	Retainer Hook Strap (Driver)	19	1703762	Hex Nut 10-24	30	1705929	Latch Cover
9	1117594	Header Guide Retainer	20	*	Latch System	31	1118243	Side Rail End Plug_RH Foam Seal
10	1705806	Extruded Retainer Loop	21	1705629	Self Drill Screw 6-20 X 3/8	32	1118244	Side Rail End Plug_LH Foam Seal
11	*	Hook and Loop Fasteners	22	1118225	Cable Cover 3.75"			

* Please specify length or make and model of vehicle.



OWNER/USER RESPONSIBILITIES:

It is the responsibility of the owner/user to read this manual and comply with the operating procedures. The owner/user is also responsible for inspecting the Sentry/ Sentry CT cover and for having parts repaired or replaced when worn or damaged. Failure to follow safety instructions and warning labels could result in failure of your cover system and/or personal injury.

SAFETY INSTRUCTIONS:

1. Do not place objects on or against cover or framework.
2. Do not tie cargo to truck bed cover framework.
3. Never allow children or pets to occupy pickup box while cover is closed.
4. Cover is not airtight. Special care is required to keep cargo clean and dry.
5. Fabric cover won't prevent theft of contents inside truck box.
6. Cover must be rolled fully open and secured with retainer straps when towing vehicle backwards.
7. DO NOT stow rolled cover against cab window.
8. DO NOT attempt to drive with cover in the partially open position!
9. A fully rolled open cover must always be secured with retainer straps.
10. DO NOT operate vehicle with objects on top of the cover.

ADDITIONAL IMPORTANT SAFETY TIPS



CAUTION HIGH TEMPERATURE

TOP SURFACE AND BOTTOM SURFACE CAN BECOME EXTREMELY HOT TO TOUCH WHEN EXPOSED TO BRIGHT SUN AND OR HEAT.
NEVER ALLOW CHILDREN OR PETS TO SIT ON COVER WHEN CLOSED OR ROLLED TO THE CAB.



CAUTION

ROLL COVER TIGHT. SECURE THE COVER APPROPRIATELY USING BOTH RETAINER STRAPS. **DO NOT** OVERTIGHTEN. **DO NOT** STOW COVER AGAINST CAB WINDOW.

IMPORTANT OPERATING TIPS:

- Truck bed cover must be free of foreign material including snow and ice before rolling cover open or closed.
- It is recommended to operate vehicle with cover rolled closed and latched for optimal fuel economy.
- After closing cover make sure hook and loop on both sides are engaged.
- If side rails are tipping, clamps can be adjusted to level the rails to ensure proper cover header fitment.
- Prolonged cold weather will make cover fabric stiff. Move vehicle with cover unrolled and latched into the sun or indoors to warm the top surface.
- If cover has been stored in a rolled up state for a long period of time it may take a few minutes for the cover to lay flat. The fabric material needs to relax to a flat state, this is normal.
- **DO NOT** roll cover into rear cab window. **DO NOT** stow rolled cover against cab or cab window. Modification of accessories such as bed liners (including spray in liners) may be necessary allowing the truck bed cover side rails to fit properly between the front bulkhead and tailgate of the truck bed.



IMPORTANT OPERATING TIPS CONTINUED:

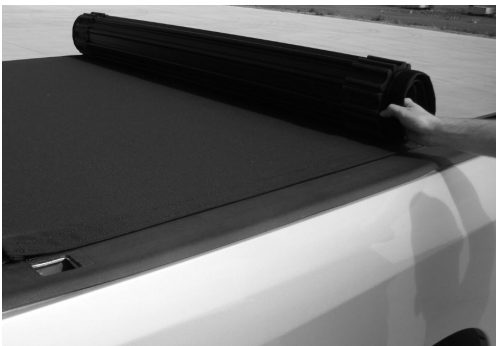
- When placing the rolled up cover assembly on the side rails and installing it to the side rails (see step 19) the weight of the cover assembly may tilt or flex the rails downward. Simply push up on the rail when securing the header guides to the rail (see step 20).
- After the initial installation leave cover closed and latched for a 24 hour period. This will insure that the fabric has taken a complete set to the metal substrate.

- **INCORRECT METHOD** Of How To Open Cover To The Front.

- Do not slide a partially opened cover across the cover's surface.
- Do not slide cargo across the cover's surface.
- Do not store items on cover's surface.

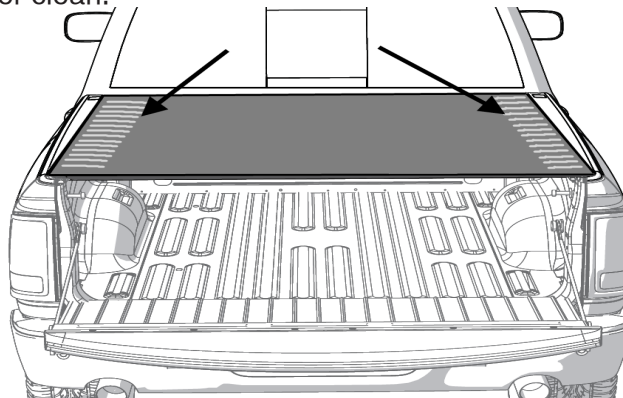


- **CORRECT METHOD** Of How To Open Cover To The Front.



- **After Initial Install**

Cover Tracking Marks: The cover will experience slight tracking marks from dust deposited on the top surface even after the first initial roll out. If there is a heavy deposit of dust, simply use a wet rag to wipe the top surface of the cover clean.



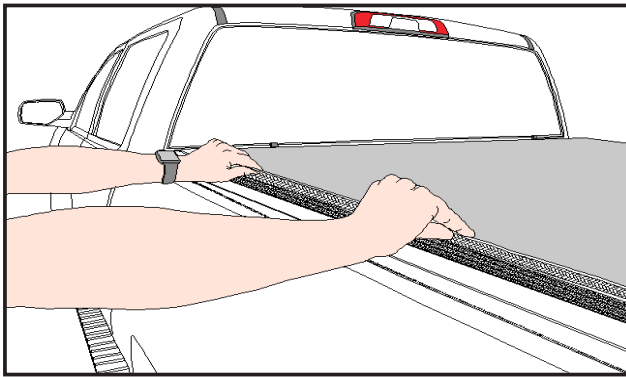
- **Day to Day Use**

Cover Tracking Mark Prevention: All truck beds will accumulate road dust. This dust will accumulate on the side rails and adhere to the underside of the truck cover. When the truck cover is rolled open, the underside of the cover can deposit dust onto the top surface. To prevent dust-tracking marks, periodically clean the side rail surfaces, rubber slat end caps, and underside surface of the cover to remove dust build up. Plugging air holes and gaps in the truck box construction will also greatly reduce dust intrusion into the truck box. Periodically cleaning the top surface with soap and water will also help prevent dust-tracking marks.

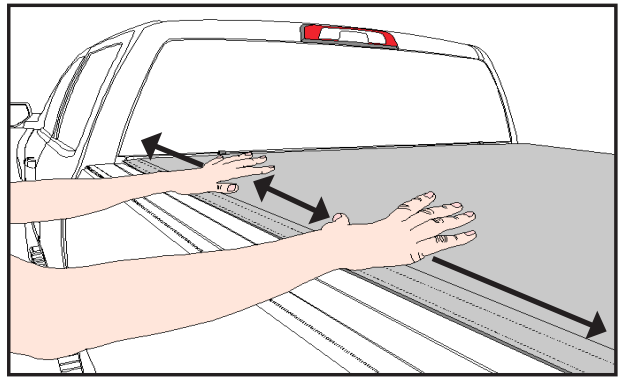


IMPORTANT OPERATING TIPS CONTINUED:

- Setting The Hook and Loop Before Operating Vehicle.



Engaging Hook and Loop, Step One: After rolling the cover closed, grab the fabric loop flap and evenly pull loop over the hook track engaging the loop to the hook track. **Avoid pulling fabric flap straight up.**



Engaging Hook and Loop, Step Two: With the cover closed and both hook and loop engaged, use the palms of your hand to firmly push the loop strip into the hook track. Do this to both driver and passenger side up and down the entire length of the loop seams.

TROUBLESHOOTING

COVER ASSEMBLY WILL NOT ATTACH TO SIDE RAILS DURING INSTALLATION:

1. Check side rails to make sure they are level.
2. The rolled up cover is heavy which may be flexing the rails downward. Push front of rails up slightly to allow the screw heads to fall in the slots and the header guides to slide freely into the secured location (review step 9).
3. If rear header doesn't latch correctly check side rail installation.

HEADER WILL NOT LATCH:

1. Check side rails to make sure they are level.
2. Make sure the rear header seal is not caught between side rail & rear header.
3. If rear header doesn't latch correctly check side rail installation.
4. Check to make sure side rails are both equally spaced front to rear.
5. Make sure both latches are functioning properly. Clean any debris that may be impeding latches, see COVER CARE AND MAINTENANCE on page 6.
6. Close tailgate first then cover.

COVER IS HARD TO ROLL OPEN OR CLOSED:

1. Truck bed cover MUST be free of foreign material including snow and ice before rolling cover.
2. Prolong cold weather will make cover fabric stiff. Move cover into sun or indoors to warm the top surface.
3. It is normal for the cover to experience light binding after being rolled up for an extended period of time. Once the cover is latched, the fabric will relax and the cover will lay flat.

THREE YEAR WARRANTY

TruXedo, Inc. warrants that all new, unused products are free from defects in material and workmanship. This Three Year Limited Warranty is effective if the product is properly installed and used for the purpose intended. It applies to the original buyer only. TruXedo's obligation under this Warranty is limited to repairing, or at its option, replacing any part that is returned, transportation prepaid, to TruXedo, Inc., Yankton, South Dakota, if the product is, in our judgment, defective. All materials must be accompanied by an RMA (Returned Material Authorization) number requested by and authorized in advance of returning the materials. TruXedo, Inc. shall not be liable or responsible to supply or pay labor to replace any part found defective, nor shall it be liable for any damages of any kind or nature to person, product, or property.

There are no Warranties for used products or products that have been repaired, altered, modified, subjected to misuse, negligence, accident or ordinary wear and tear. Warranty registration must be on file and/or proof of original purchase (detailed and dated receipt) required for warranty to be valid. Please locate the serial number on your cover before registering the warranty. The serial number can be found on the underside of the front aluminum header bar located on the driver side. Register warranty online at www.truxedo.com

DIRECT ALL WARRANTY CLAIMS TO TRUXEDO AT 1-877-878-9336

